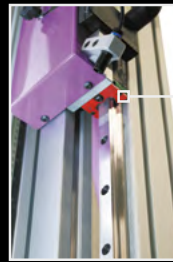
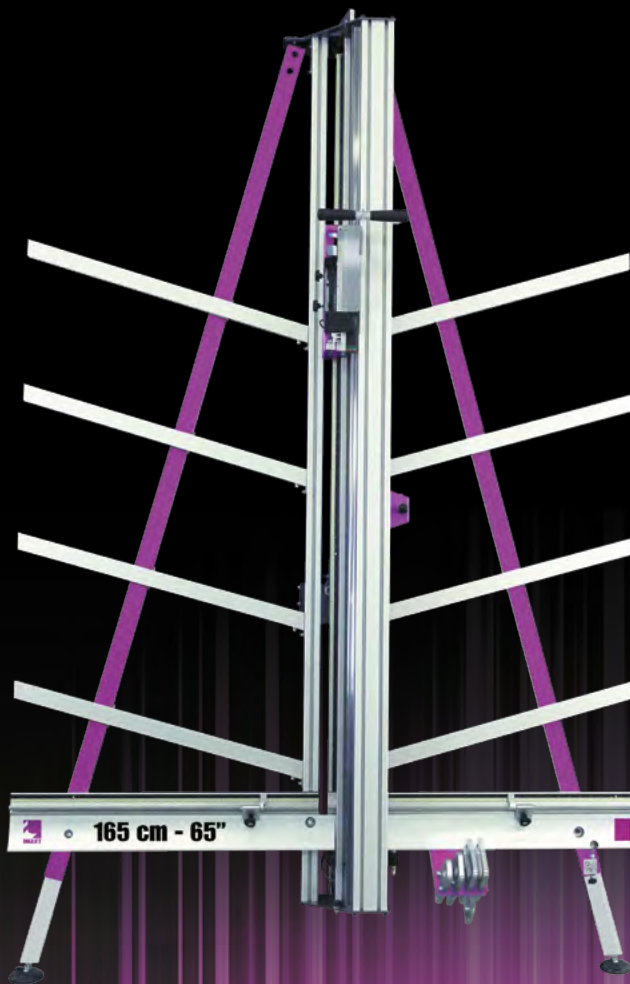


# INBLADE

**THE INBLADE CUTTER** cuts all the rigid and semi-rigid materials used in today's sign, frame and photo markets. The reliable linear bearing guide system combined with the robust structure guarantees an accurate and smooth cut of all the materials. The interchangeable cutting head system offers an easy-to-use solution to hold all the available cutting heads and it is ready to be used by new tools developed in the future.

**Available in three cutting sizes:** 165 cm (65"), 210 cm (82") & 250 cm (98") and it allows cutting the surprising maximum thickness of 20 mm.



## FEATURES

- ❑ Interchangeable cutting head system.
- ❑ Double handle system for cutting comfortably tough and rigid materials.
- ❑ Laser Beam accessory to indicate the cutting line which is common for all the tools.
- ❑ Two bearing blocks located on a linear rail for a fast and accurate cutting head movement.
- ❑ Guided counterbalance supports the load of the cutting head to facilitate the work.
- ❑ The pneumatic clamping system offers an easy, fast and reliable way to hold the material.
- ❑ Telescopic legs to find easily the most comfortable working position.
- ❑ Easy to set up and to square through the adjusting screw system.
- ❑ Cutting thickness up to 20 mm for semi-rigid materials.
- ❑ Can be mounted on the wall or supported by a free standing accessory.



### ALUMINIUM COMPOSITE

Up to 4 mm  
-Included-  
Ref. 45 19 90



### TRIPLE BLADE

Up to 20 mm  
-Accessory-  
Ref. 45 18 97



### ACRYLIC

Up to 6 mm  
-Accessory-  
Ref. 45 18 96



### SEMI-RIGIDS

Up to 13 mm  
-Included-  
Ref. 45 19 91



### GLASS

Up to 6 mm  
-Accessory-  
Ref. 45 18 99



### V-GROOVE RIGIDS

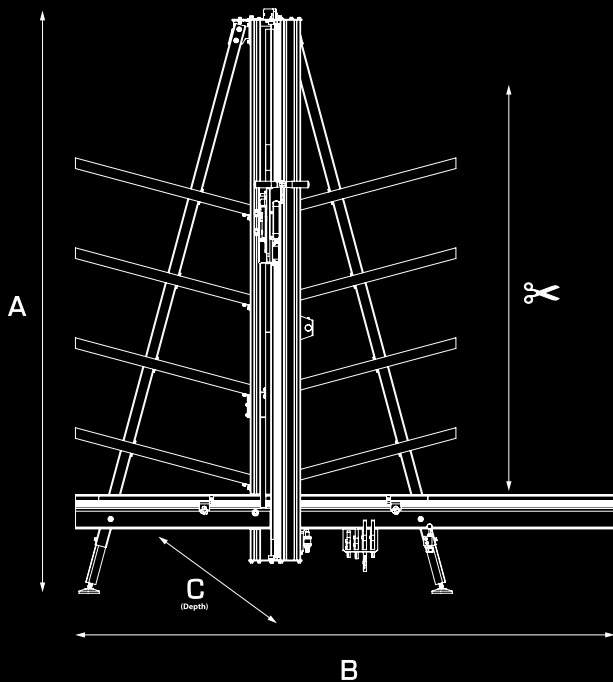
Up to 5 mm  
-Accessory-  
Ref. 45 18 98



### V-GROOVE SEMI-RIGIDS

Up to 20 mm  
-Accessory-  
Ref. 45 19 85 / 45 19 86  
+ 45 19 04





RIGIDS	Max. thickness
PVC Foamboard	13 mm
Aluminium composite / Dibond®	4 mm
Aluminium sheets / Cromaluxe®	1 mm
MDF / Wood	4 mm
Acrylics / Plexiglas®	6 mm * / ◇
Glass	6 mm * / ◇
SEMI-RIGIDS	Max. thickness
Foamboard	13 mm / 20 mm *
Cardboard	13 mm / 20 mm *
Honeycomb / Re-board®	13 mm / 20 mm *
Corrugated plastic	13 mm
Passepartout	✓
V-GROOVE	Max. thickness
Aluminium composite / Dibond®	4 mm *
Honeycomb / Re-board®	20 mm *
Foamboard	13 mm *

\* Optional accessory required. ◇ Score and snap.

TECHNICAL INFORMATION	Inblade 165	Inblade 210	Inblade 250
<b>Cutting head</b>	Manual	Manual	Manual
<b>Clam system</b>	Pneumatic	Pneumatic	Pneumatic
<b>Max. cutting height</b>	165 cm / 65"	210 cm / 82"	250 cm / 98"
<b>Dimensions A x B x C</b>	225 x 210 x 56 cm 88,5 x 82 x 22"	268 x 210 x 56 cm 105 x 82 x 22"	310 x 210 x 56 cm 122 x 82 x 22"
<b>Weight</b>	70 Kg / 154 lb	84 Kg / 185 lb	102 kg / 224 lb
<b>Packing dimensions</b>	231 x 49 x 46 cm	278 x 49 x 46 cm	331 x 49 x 46 cm
<b>Packing weight</b>	94 Kg 105 Kg (with free standing)	114 Kg 126 Kg (with free standing)	130 Kg 144 Kg (with free standing)

ACCESORIES	
Aluminium composites cutting head -Included-	45 19 90
Single blade cutting head -Included-	45 19 91
Acrylic cutting head	45 18 96
Triple blade cutting head	45 18 97
V-Groove cutting head	45 18 98
Glass cutting head	45 18 99
V-Groove cutting head support	45 19 04
Re-board® V-Groove cutting head	45 19 85
Foamboard V-Groove cutting head	45 19 86
Arm extension for Inblade -1 m-	14 20 08
Laser beam	45 06 51
Free standing Inblade, 165	45 18 01

Free standing Inblade, 210	45 18 02
Free standing Inblade, 250	45 19 13
Trapezoid blades -100 u-	13 01 30
Acrylic scoring blade -5 u-	13 01 25
V-Groove blade	13 01 71
Circular blade -2 u-	13 01 72
Re-board® V-Groove blades	13 01 79
Foamboard V-Groove blades	13 01 80
Glass cutting wheel	14 07 43
Silent compressor, 1 Hp -6 l-	02 09 44
Silent compressor, 0.5 Hp -9 l-	02 09 38
Silent compressor, 1 Hp -24 l-	02 09 40